



Features



DIMENSIONS : 199(L) x 99(W) x 35(H)mm
WEIGHTS: 660g

- Convection cooled
- 100% burn-in test
- MOSFET designed
- 2 years Warranty
- **Output modify range: 3V~200VDC**
- **Split rail & Series connection possible**

General specifications

INPUT

| | |
|------------------------|--------------------------|
| Input range | 90~264VAC 127~380VDC |
| Input frequency | 47~63Hz |
| Inrush current (25° C) | 20A/110VAC 40A/220VAC |

OUTPUT

| | |
|-------------------------|-------------------------|
| Hold-up time | 16mS |
| Short protection | Autorecovery |
| Overload protection | Automatic power limited |
| Over voltage protection | Autorecovery |

Detail specifications

100 Watts

| MODEL | O/P Volt Adj. ± % | Load(Current) ¹ | | | Ripple & Noise ⁴ | Line REG. ² | Load REG. ³ | Efficiency ⁵ | O.V.P. Trip point |
|---------------|--------------------------------|----------------------------|--------------|---------------|-----------------------------------|---------------------------|---------------------------|-------------------------|----------------------|
| | | Min. | Rated | Max. | | | | | |
| RP1100-05FV | V1: +5V ±10% | 0A | 20A | 20A | 50mVp-p | ±1% | ±1% | 69% Min. | 6 ~ 7.5V |
| RP1100-08FV | V1: +8V ±10% | 0A | 12.5A | 12.5A | 80mVp-p | ±1% | ±1% | 73% Min. | 14 ~ 17V |
| RP1100-12FV | V1: +12V ±10% | 0A | 8.3A | 8.3A | 100mVp-p | ±1% | ±1% | 75% Min. | 14 ~ 17V |
| RP1100-15FV | V1: +15V ±10% | 0A | 6.7A | 6.7A | 150mVp-p | ±1% | ±1% | 75% Min. | 17 ~ 22V |
| ● RP1100-18FV | V1: +18V ±10% | 0A | 5.6A | 5.6A | 150mVp-p | ±1% | ±1% | 75% Min. | 28 ~ 34V |
| ● RP1100-24FV | V1: +24V ±10% | 0A | 4.2A | 4.2A | 150mVp-p | ±1% | ±1% | 77% Min. | 28 ~ 34V |
| ● RP1100-36FV | V1: +36V ±10% | 0A | 2.7A | 2.7A | 360mVp-p | ±1% | ±1% | 78% Min. | 55 ~ 67V |
| ● RP1100-48FV | V1: +48V ±10% | 0A | 2.1A | 2.1A | 250mVp-p | ±1% | ±1% | 82% Min. | 55 ~ 67V |
| ● RP21001FV | V1: +8V ±10% V2: +5V±10% | 0A 0A | 12A 0.8A | 12.5A 0.8A | 80mVp-p 50mVp-p | ±1% ±1% | ±1% ±1% | 70% Min. | 14 ~ 17V ----- |
| ● RP21002FV | V1: +12V ±10% V2: +5V±10% | 0A 0A | 8A 0.8A | 8A 0.8A | 100mVp-p 50mVp-p | ±1% ±1% | ±1% ±1% | 70% Min. | 14 ~ 17V ----- |
| ● RP21003FV | V1: +24V ±10% V2: +5V±10% | 0A 0A | 4A 0.8A | 4A 0.8A | 150mVp-p 50mVp-p | ±1% ±1% | ±1% ±1% | 74% Min. | 28 ~ 34V ----- |
| ● RP21005FV | V1: +16V ±10% V2: +5V±10% | 0A 0A | 6A 0.8A | 6A 0.8A | 150mVp-p 50mVp-p | ±1% ±1% | ±1% ±1% | 75% Min. | 28 ~ 34V ----- |
| ● RP21006FV | V1: +18V ±10% V2: +5V±10% | 0A 0A | 5.3A 0.8A | 5.3A 0.8A | 150mVp-p 50mVp-p | ±1% ±1% | ±1% ±1% | 74% Min. | 28 ~ 34V ----- |
| ● RP21008FV | V1: +12V----- V2: +5V±10% | 0A 0A | 7A 2A | 7A 2A | 150mVp-p 50mVp-p | ±3% ±1% | ±7% ±2% | 75% Min. | 14 ~ 17V ----- |
| ● RP21009FV | V1: +24V ±10% V2: +12V----- | 0A 0A | 3A 2A | 3A 2A | 100mVp-p 100mVp-p | ±1% ±3% | ±2% ±6% | 78% Min. | 28 ~ 34V ----- |



Detail specifications

84 Watts

| MODEL | O/P Volt Adj. ± % | Load(Current) ¹ | | | Ripple & Noise ⁴ | Line REG. ² | Load REG. ³ | Efficiency ⁵ | O.V.P. Trip point |
|-------------|--------------------------------|----------------------------|--------------|------------|-----------------------------------|---------------------------|---------------------------|-------------------------|----------------------|
| | | Min. | Rated | Max. | | | | | |
| ● RP20842FV | V1: +12V ±10% V2: -12V----- | 0A 0A | 3.5A 3.5A | 4A 3.5A | 100mVp-p 120mVp-p | ±1% ±2% | ±1% ±2% | 74% Min. | 15 ~ 18V ----- |
| ● RP20843FV | V1: +15V ±10% V2: -15V----- | 0A 0A | 2.8A 2.8A | 3.5A 3A | 150mVp-p 150mVp-p | ±1% ±2% | ±1% ±2% | 76% Min. | 20 ~ 24V ----- |

CE Standards

EN 55032, EN 55035,
EN 61000-3-3, (EN 61000-4-2,
EN 61000-4-3, EN 61000-4-4,
EN 61000-4-5, EN 61000-4-6,
EN 61000-4-8, EN 61000-4-11)
LVD: EN 62368-1

Safety Standards



UL/CUL 60950 APPROVAL



CE

Marking

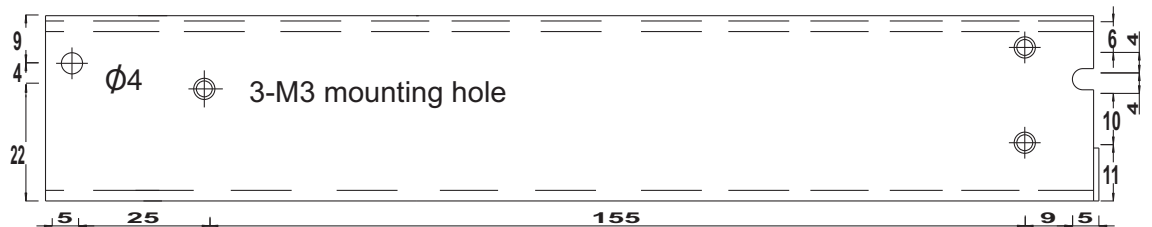
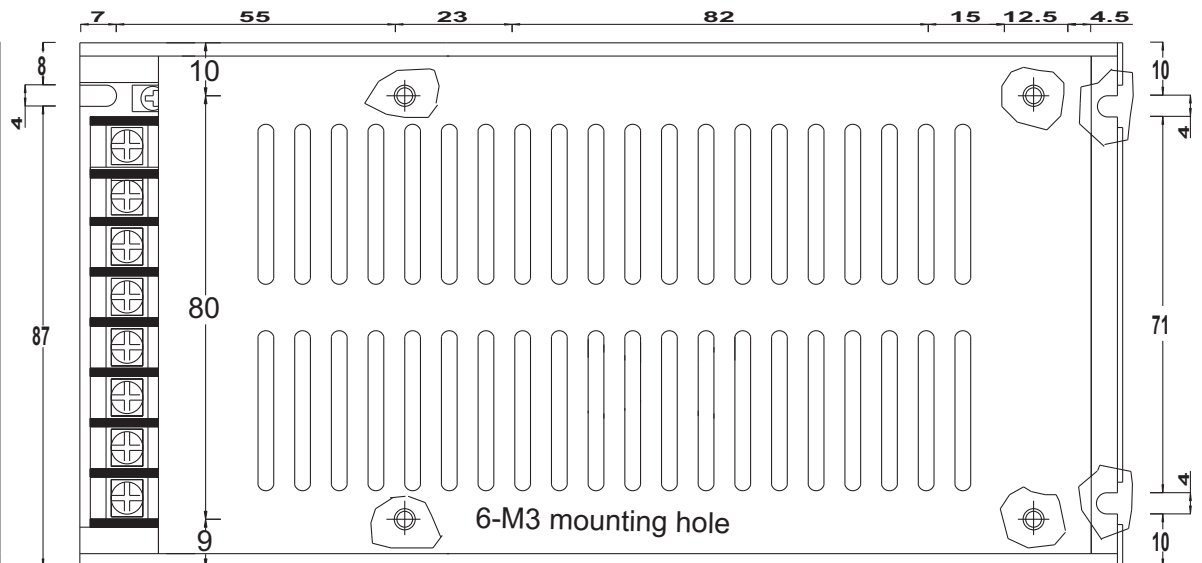
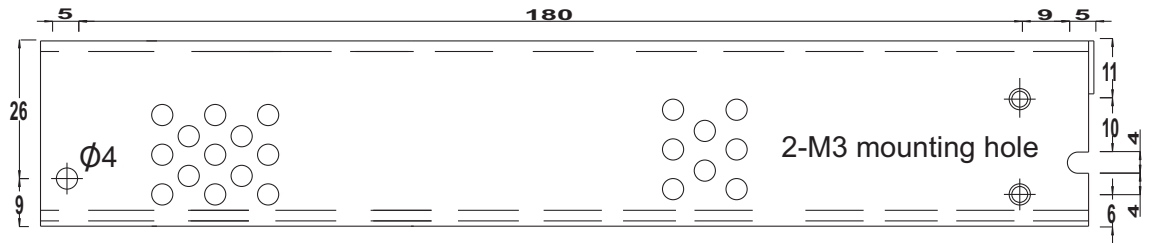
Environments

| | |
|------------------------------|----------------------------|
| Operating Temperature | -15 ~ 50°C, Ambient |
| Operating Humidity | 20 ~ 90% RH, No Condensing |
| Storage Temperature | -20 ~ 85°C, Ambient |
| Vibration | 2G, 10~500Hz, 3 axes |

- NOTE:**
- Each output can provide up to maximum load, but total load can not exceed rated output power.
 - Line regulation is measured from low line to high line at rated load.
 - Load regulation is measured from 20% to 100% of rated load at 220VAC input.
 - Ripple & Noise are measured with 20MHz oscilloscope at 220VAC by using a 20cm long 12" twisted pair-wire with a 0.1uF/630V metal capacitor & a 47uF electrolytic capacitor parallel on the test point.
 - Efficiency is measured at rated load and 220VAC input.
 - Hold-up time is measured at rated load and 220VAC input.
 - With ● are non-safety approval.
 - Output Voltage Adjustable is measured on 5% of rated load.
 - Reign Power reserve the right to change specifications at any time without notice.



Mechanical Details



CASE NO. : CS100

UNIT : mm

DIMENSIONS : 199(L) x 99(W) x 35(H)

Panel Designation

PCB Barrier Terminal Block

| Pin | Single | Dual | Triple | Description |
|-----|--------|------|--------|---|
| 1 | L | L | L | L : Line Terminal of Input N : Neutral Terminal of Input |
| 2 | N | N | N | |
| 3 | FG | FG | FG | FG : Ground (Earth) No Polarity At DC Input |
| 4 | NC | V2 | V3 | NC : No connection G : DC Output Ground Terminal Vx : DC Output Terminal (Specify at spec.) |
| 5,6 | G | G | V2 | |
| 7,8 | V1 | V1 | G | |